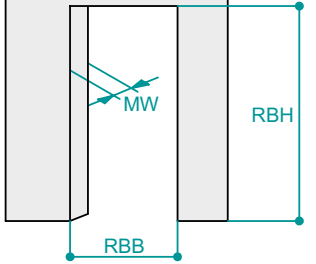
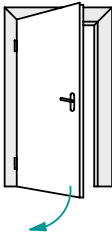
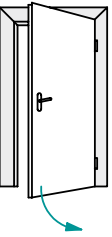
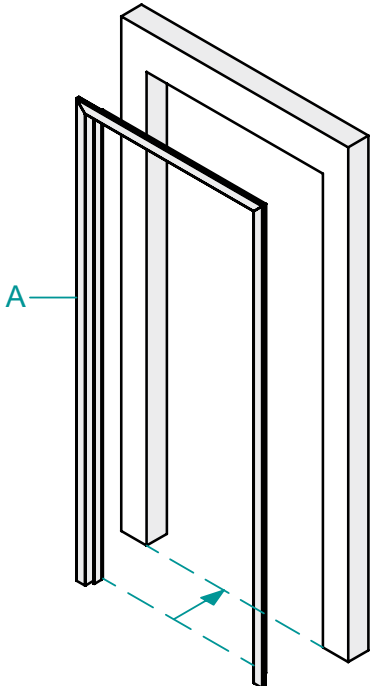
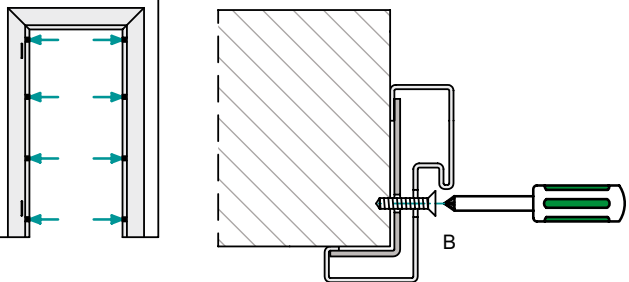
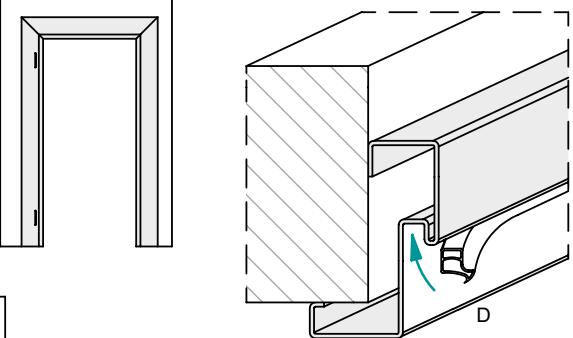
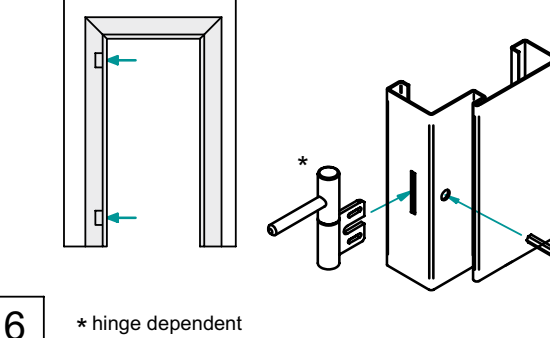
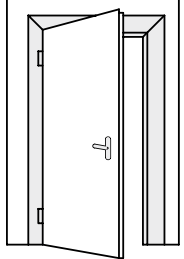
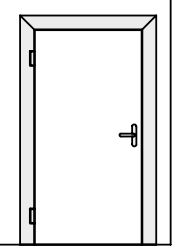
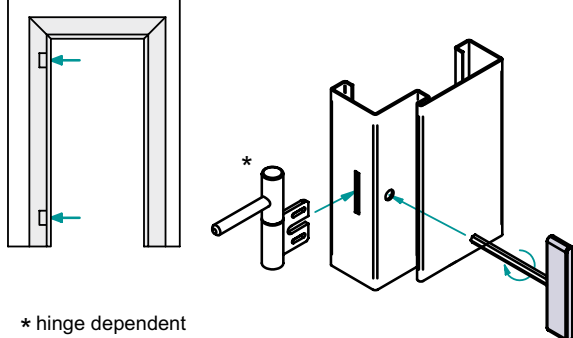
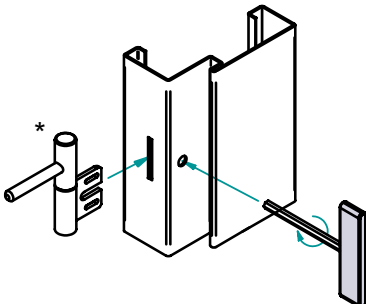
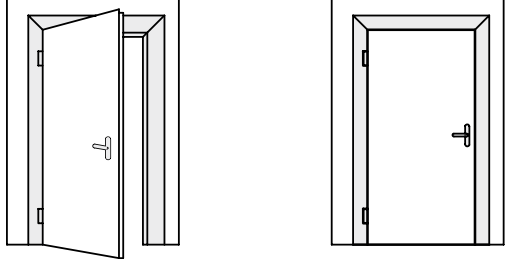
 <p>1</p>	<p>A corner frame with welded corners</p> <p>B screw 4,5 x 50</p> <p>C cover cap</p> <p>D rubber seal</p>		 <p>L</p>	 <p>R</p>
 <p>A</p>		 <p>B</p> <p>3</p>		
 <p>D</p>		 <p>C</p> <p>4</p>		
 <p>5</p>		 <p>* hinge dependent</p> <p>6</p>		
 <p>7</p>				